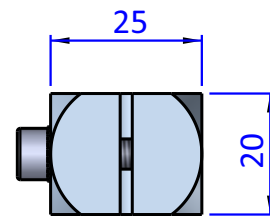
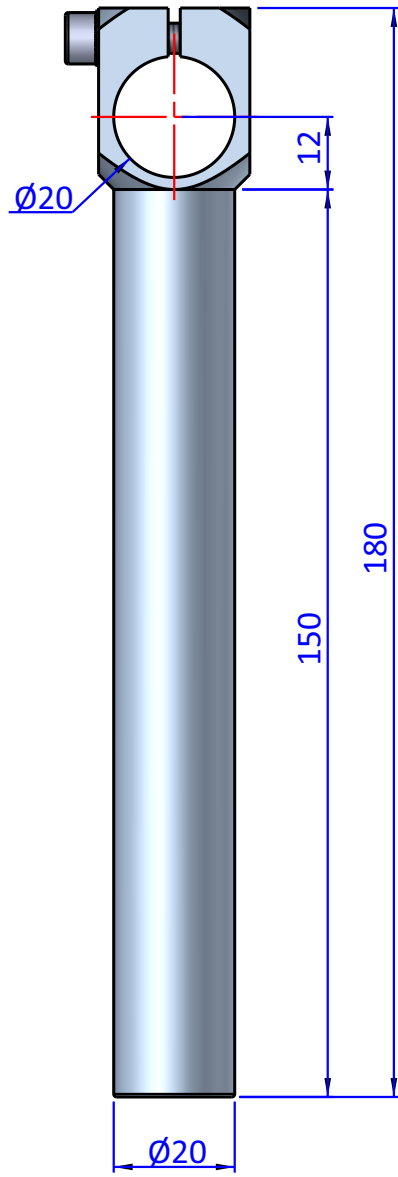
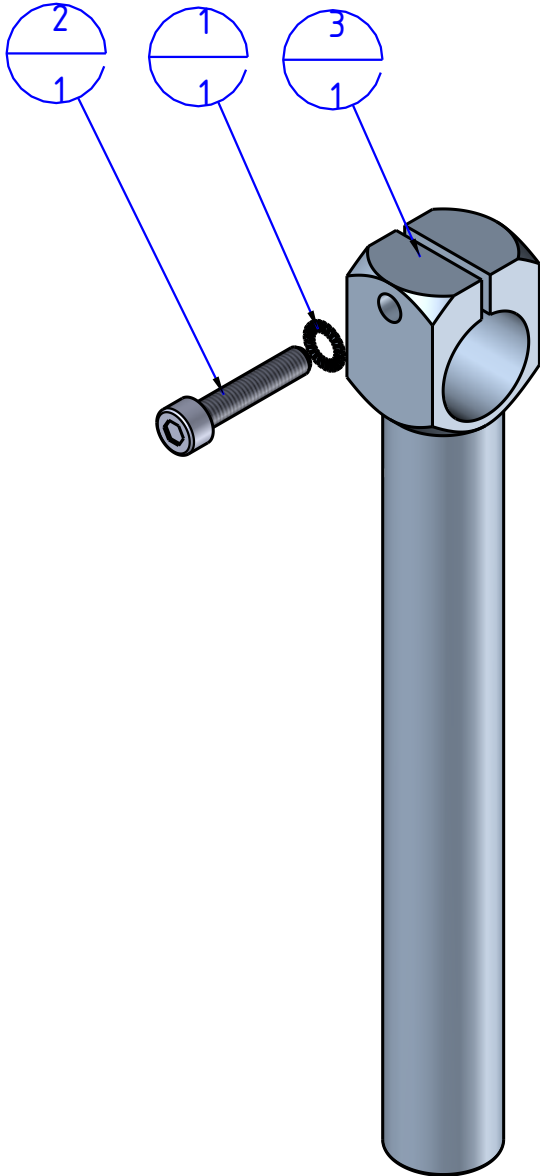


THE PROPERTY OF THE DRAWING IS ESTABLISHED BY LAW. IT IS FORBIDDEN TO PRODUCE OR SHOW IT TO THIRD PART WITHOUT A WRITTEN AGREEMENT.

Item	Name	Q.ty
1	R.5.SCH	1
2	V.TCE5x25	1
3	WKA.20.20.150	1



Format A4 UNI 936-76	GENERAL TOLERANCE UNI - ISO 2768 CLASSE f	DESCRIPTION CA.WKA.20.20.150	DESIGNED FROM FPS Automation	REVIEW A
			DATE 25/08/2020	WEIGHT 0,088kg
			CODE CA.WKA.20.20.150	

